

Technical information



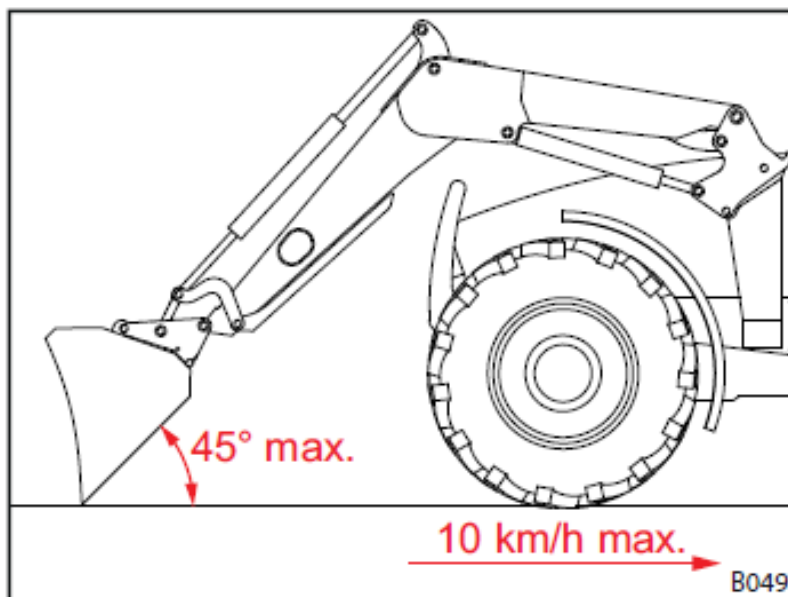
STOLL front loaders

Grading

Scope:	STOLL front loaders
Symptom:	Bent reversing levers, damaged implement cylinders,
Possible cause:	Grading not carried out correctly

Daily work with a front loader often involves the combined use of a front loader implement for grading and dumping. A bucket is often chosen for this job.

It is important to follow the instructions in the operating instructions. The right setting angle of the implement and the right direction of travel are important factors for ensuring the long service life of the front loader.



- **Grading only with the bucket lip, not with the bottom of the bucket**
- **The angle between the bucket and the ground must not exceed 45°**
- **Driving direction backwards only**
- **Maximum speed: 10 km/h**

TI-2.3-05_EN Created by KH at 07.12.2017