

AGRIBUMPER.COM safer frontweight system for all tractorbrands

**AGRI
BUMPER**



Variable frontweight + LED dayrunninglights + Indicators + Widthmarkers + Tractorbumper



WIDTHMARKERS



auto / pkw / car

327 meter



UNSAFE TRACTOR

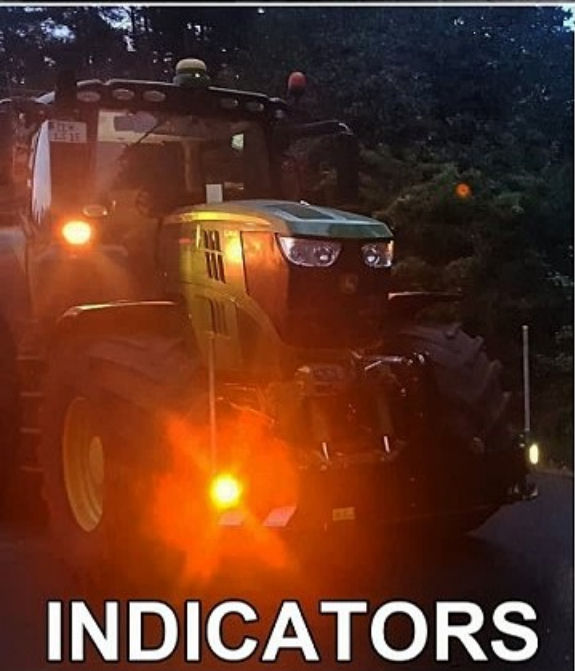
81 meter



81 meter



DRL

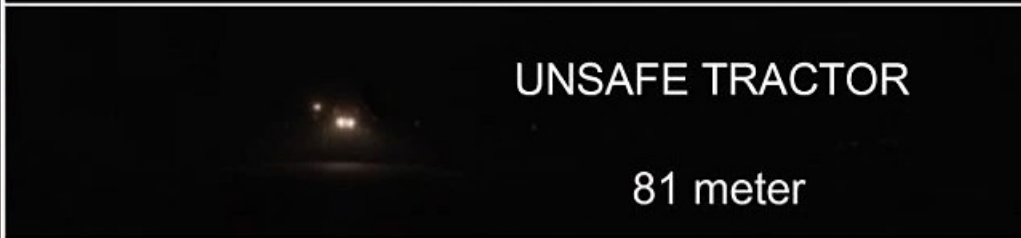


INDICATORS



auto / pkw / car

327 meter



UNSAFE TRACTOR

81 meter



81 meter



2 LED'S



+ still able to use the Frontlinkage & PTO on most tractors

+ Variable frontweight (350kg - 2000kg)

+ LED dayrunninglights + Indicators

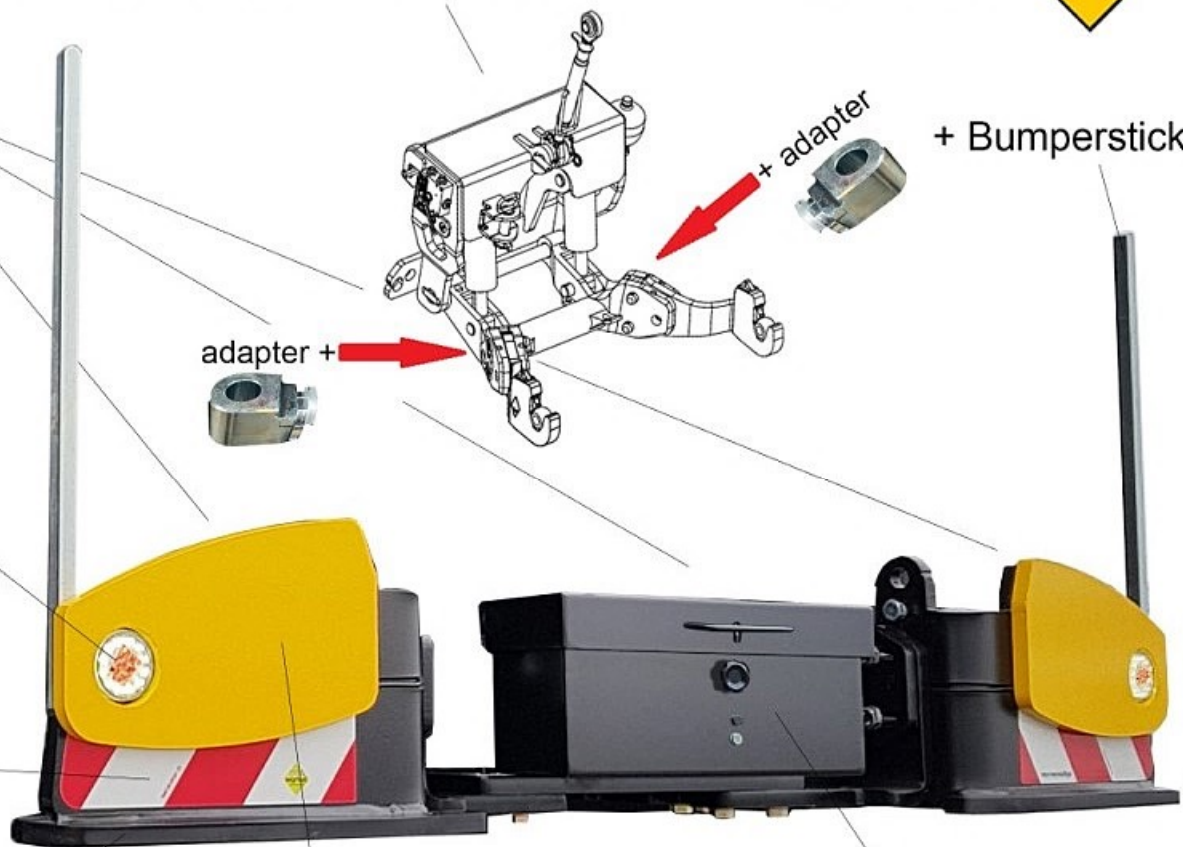
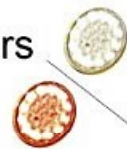
+ Widthmarkers (reflective)

+ Tractorbumper (25mm steel 355)

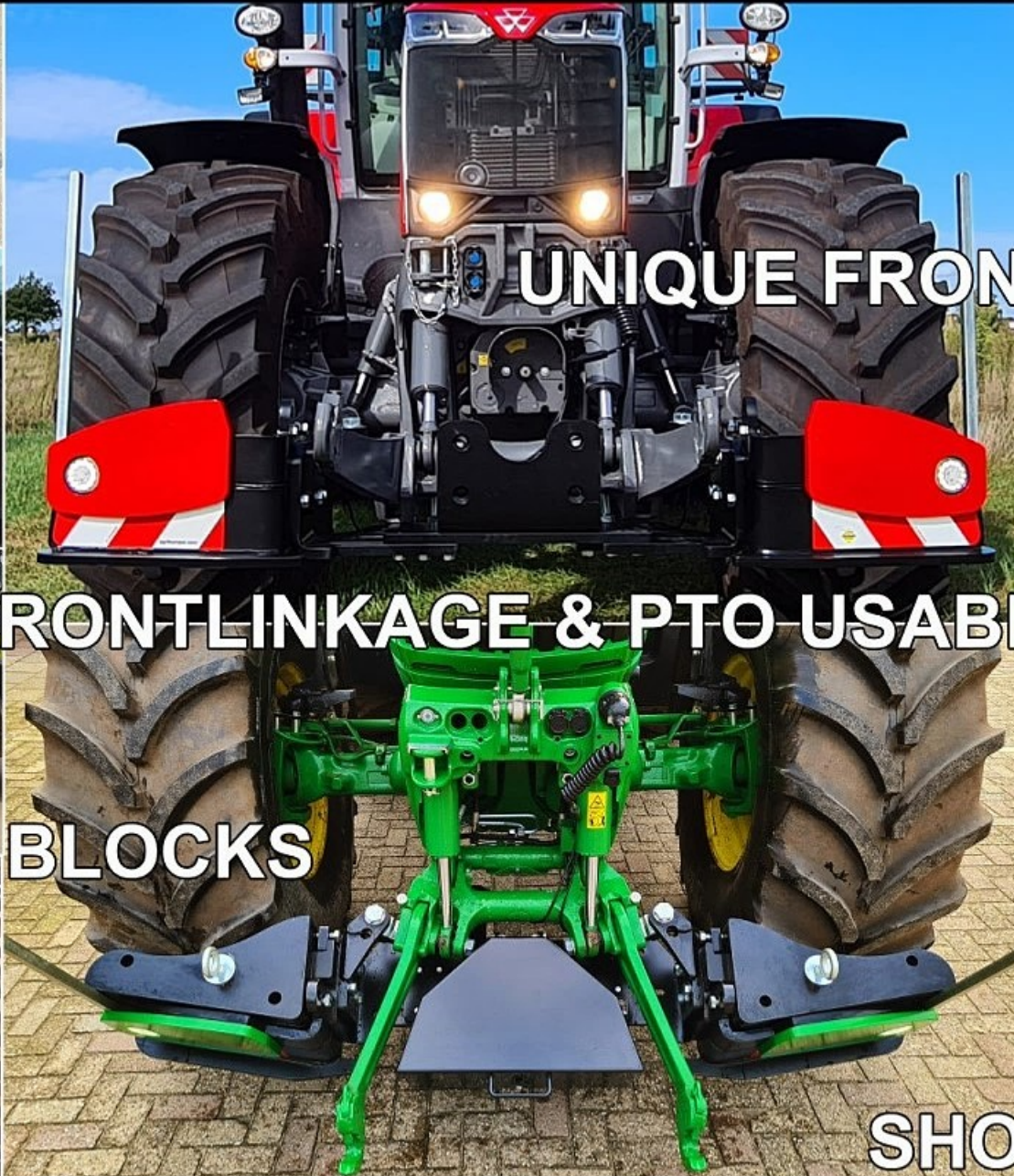
+ Designplates in tractorcolour



+ Toolbox (optional)



AGRIBUMPER.COM safer frontweight system for all tractor brands



REMOVABLE BLOCKS

UNIQUE FRONTWEIGHT

FRONTLINKAGE & PTO USABLE

NON LINKAGE OPTION

SHORT

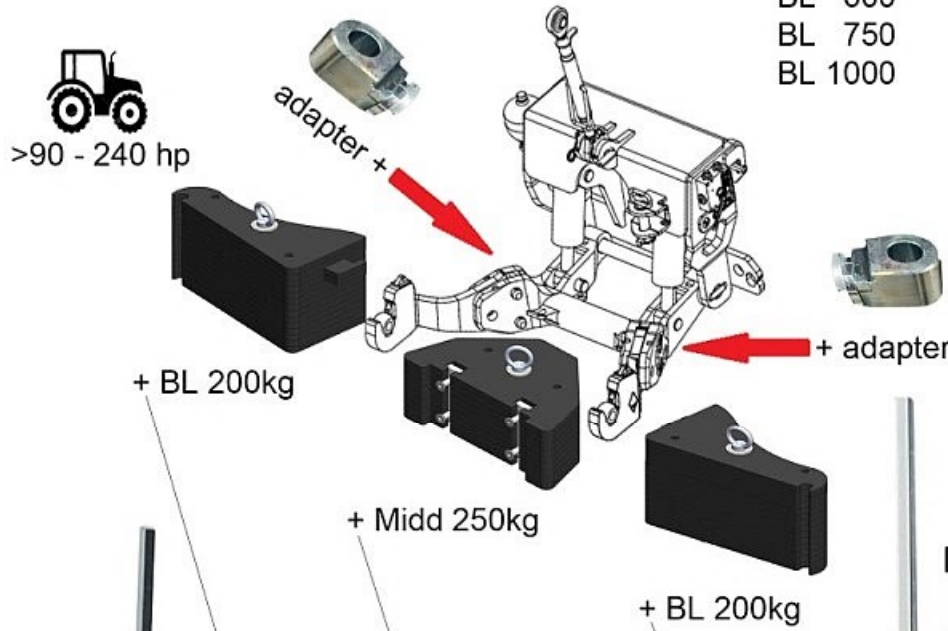
max 350cm



BASE-LINE

fixed system

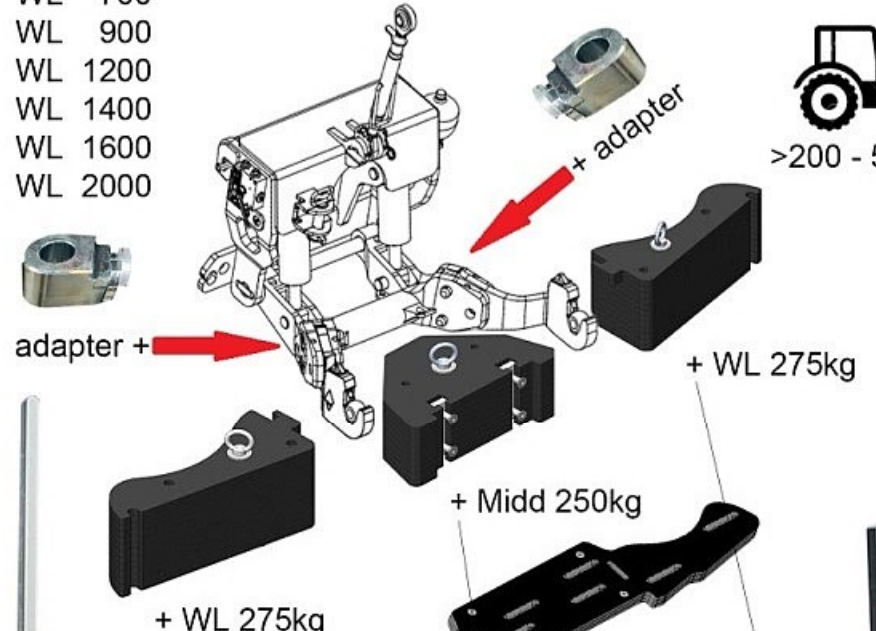
- BL 350
- BL 600
- BL 750
- BL 1000



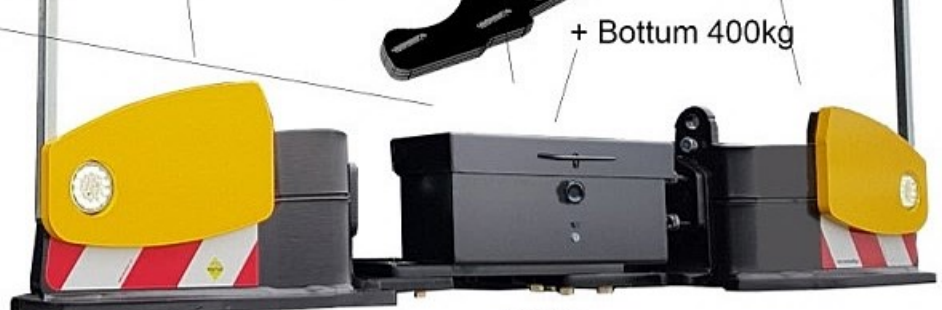
WEIGHT-LINE

fixed system

- WL 400
- WL 700
- WL 900
- WL 1200
- WL 1400
- WL 1600
- WL 2000



350kg
< 220cm >



400kg
< 250cm >

25mm FRAME
steel 355

+ Toolbox (optional)

Variable frontweight + LED dayrunninglights + Indicators + Widthmarkers + Tractorbumper

AGRIBUMPER.COM safer frontweight system for all tractor brands



VARIABLE FRONTWEIGHT



BETTER HANDLING ON GPS



COMBINED USE WITH FRONT-IMPLEMENTS



**AGRI
BUMPER**



MORE FRONTAXLE PRESSURE



BETTER MOWING ON SLOPES



Variable frontweight + LED dayrunninglights + Indicators + Widthmarkers + Tractorbumper

AGRIBUMPER.COM safer frontweight system for all tractor brands



LID TO WORK ON



145 LITER STORAGE SPACE



TOOLBOX-LINE



LID TO EAT AT



BL series

Cat.2/3 frontweightsystem

FH series

cat.2/3 bumpersystem

VARIABLE WEIGHT





TOOLBOX-LINE FH

cat.2/3 system

+ 145 LITER STORAGE



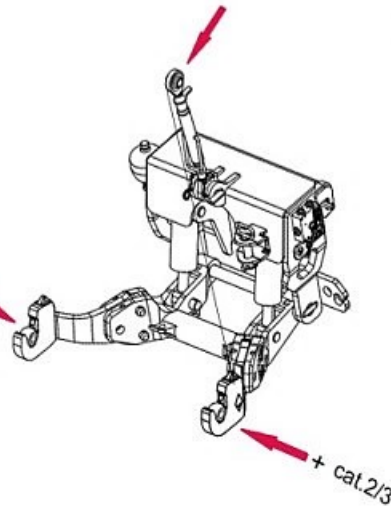
adjustable system

< 230cm - 260cm >

400kg

- FH 400
- FH 600
- FH 700
- FH 1000

+ cat.2/3



TOOLBOX-LINE BL

cat.2/3 system

+ 145 LITER STORAGE

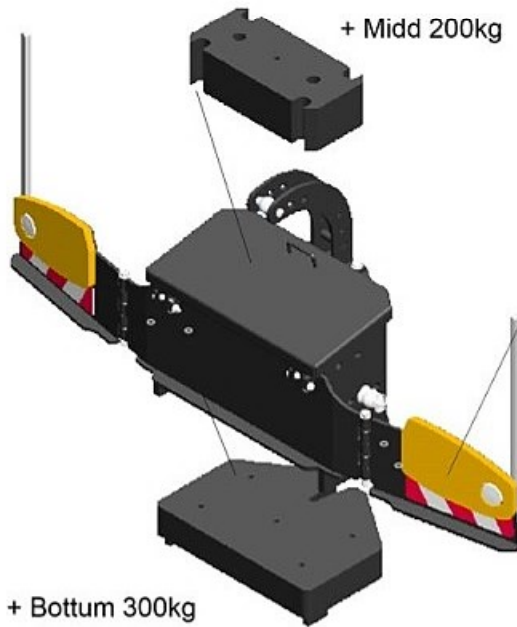


fixed system

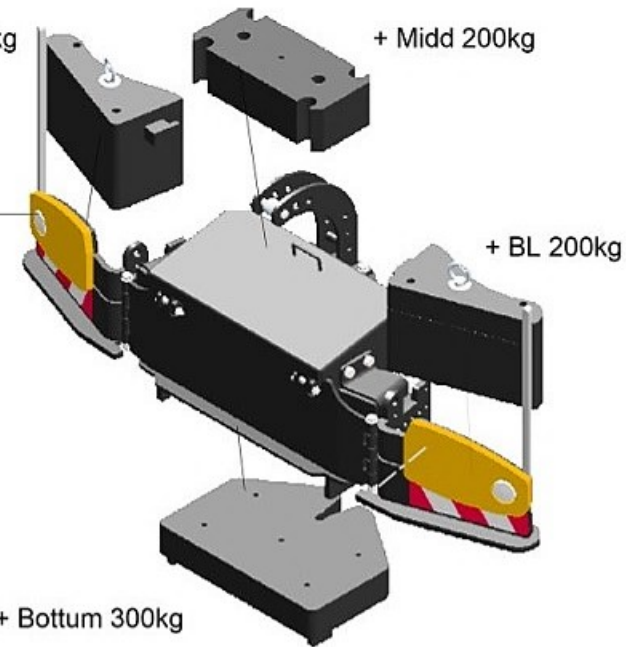
< 230cm >

600kg

- BL 600
- BL 800
- BL 1000
- BL 1300
- BL 1500
- WL1800



+ BL 200kg



BLACK 15mm FRAME

steel 355

+ Designplates in tractorcolor



Variable frontweight + LED dayrunninglights + Indicators + Widthmarkers + Tractorbumper

AGRIBUMPER.COM safer frontweight system for all tractorbrands



SMALL / MEDIUM / BIG TRACTORS



ANY COLOUR



Variable frontweight + LED dayrunninglights + Indicators + Widthmarkers + Tractorbumper

**AGRI
BUMPER**

DEVELOPED FOR ALL TYPES OF TRACTORS

ORIGINAL O.E.M.
AFTER MARKET
TRACTORS WITHOUT

FRONTLINKAGES

Variable frontweight + LED dayrunninglights + Indicators + Widthmarkers + Tractorbumper

AGRIBUMPER.COM safer frontweight system for all tractor brands



FRONTHITCH-LINE
Cat.2/3 TRACTORBUMPERSYSTEM



HEAVY3-LINE
cat.2/3 FRONTWEIGHTSYSTEM



VARIABLE FRONTWEIGHT



FRONTHITCH-LINE

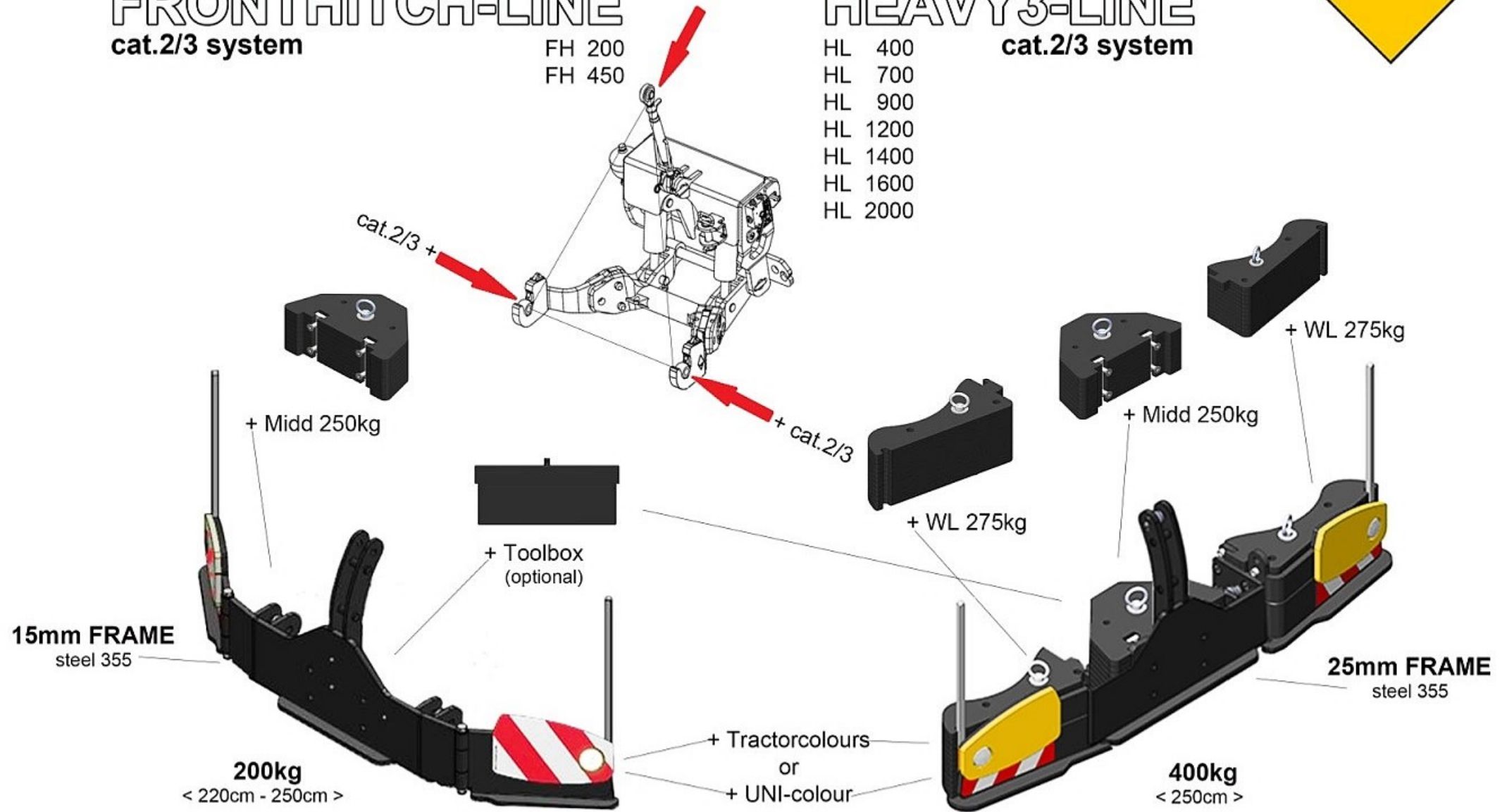
cat.2/3 system

FH 200
FH 450

HEAVY3-LINE

cat.2/3 system

HL 400
HL 700
HL 900
HL 1200
HL 1400
HL 1600
HL 2000



Variable frontweight + LED dayrunninglights + Indicators + Widthmarkers + Tractorbumper

AGRIBUMPER.COM safer frontweight system for all tractor brands



TRANSPORT SOLUTIONS



**AGRI
BUMPER**



ALWAYS A WELL BALANCED TRACTOR



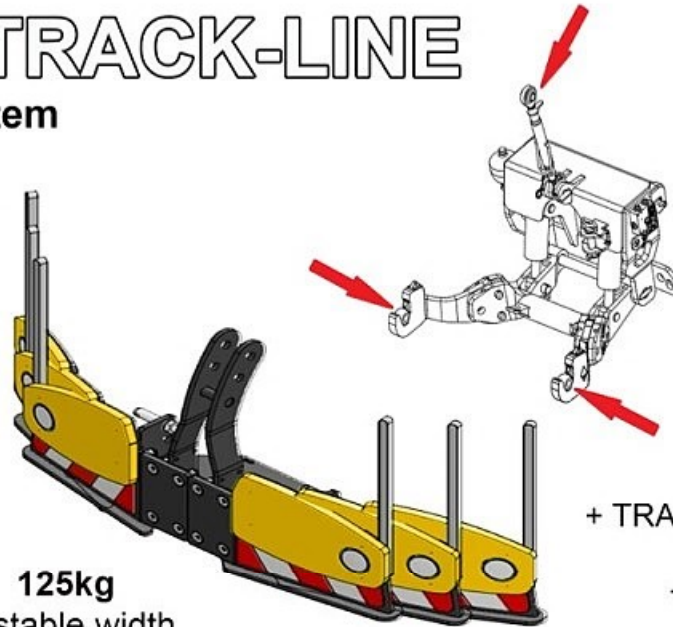
Variable frontweight + LED dayrunninglights + Indicators + Widthmarkers + Tractorbumper

SMALL TRACK-LINE

cat. 0 / 1 / 2 system

15mm frame
Steel 355

125kg
adjustable width
< 128cm - 154cm - 180cm >



+ TRACTOR COLOURS
or
+ UNI-colour



Safertractors by
Bovenbergweg 5
7475 ST Markelo
the Netherlands



+31 548 820 800



sales@agribumper.com

DCC / KVK number: 70019126



Patent / Octrooi: NL 1042094



DEALER



Variable frontweight + LED dayrunninglights + Indicators + Widthmarkers + Tractorbumper